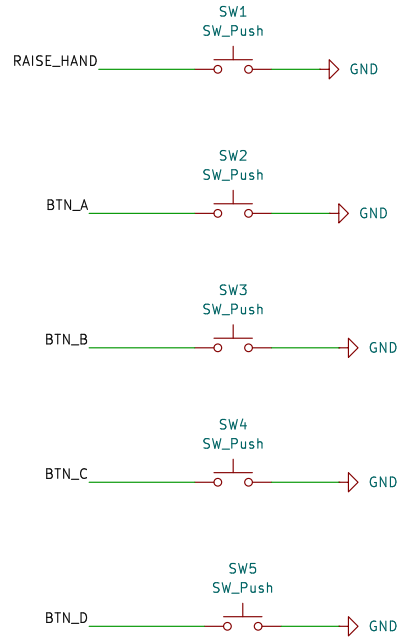
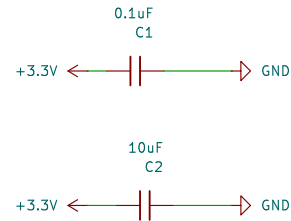
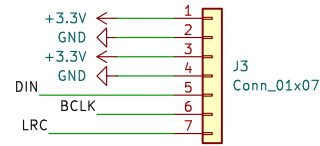


BUTTONS

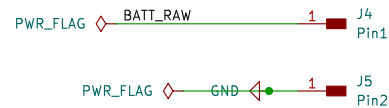
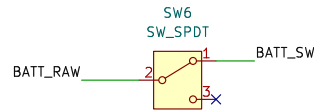


AMPLIFIER MAX98357A

Speaker connects to module terminal



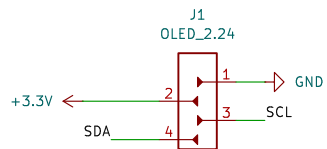
BATTERY SWITCH



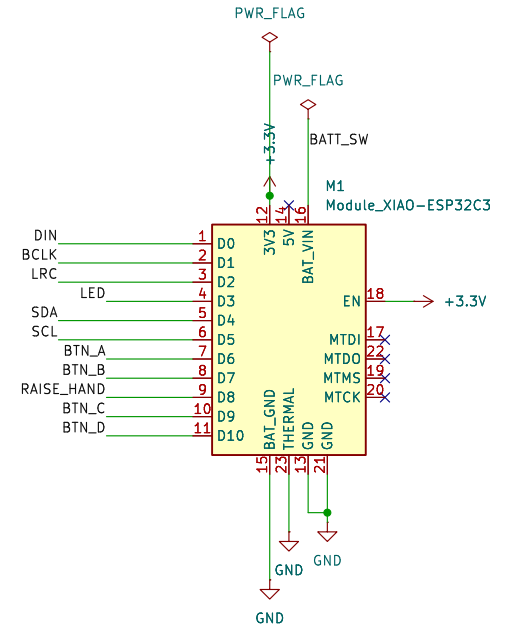
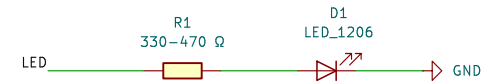
TP4056 output to PCB:
 TP4056 OUT+ → wire → J4 Pin1 on PCB
 TP4056 OUT- → wire → J4 Pin2 on PCB

PCB to XIAO:
 J4 Pin1 (VOUT) → trace on PCB → XIAO BAT_VIN
 J4 Pin2 (GND) → trace on PCB → XIAO GND

OLED 2.24"



LED



Emily

Sheet: /
File: awl-console.kicad_sch

Title: AWL Console

Size: A4 Date:
KiCad E.D.A. 9.0.7

Rev: V1
Id: 1/1