

4

3

2

1

D

D

2D Drawing

C

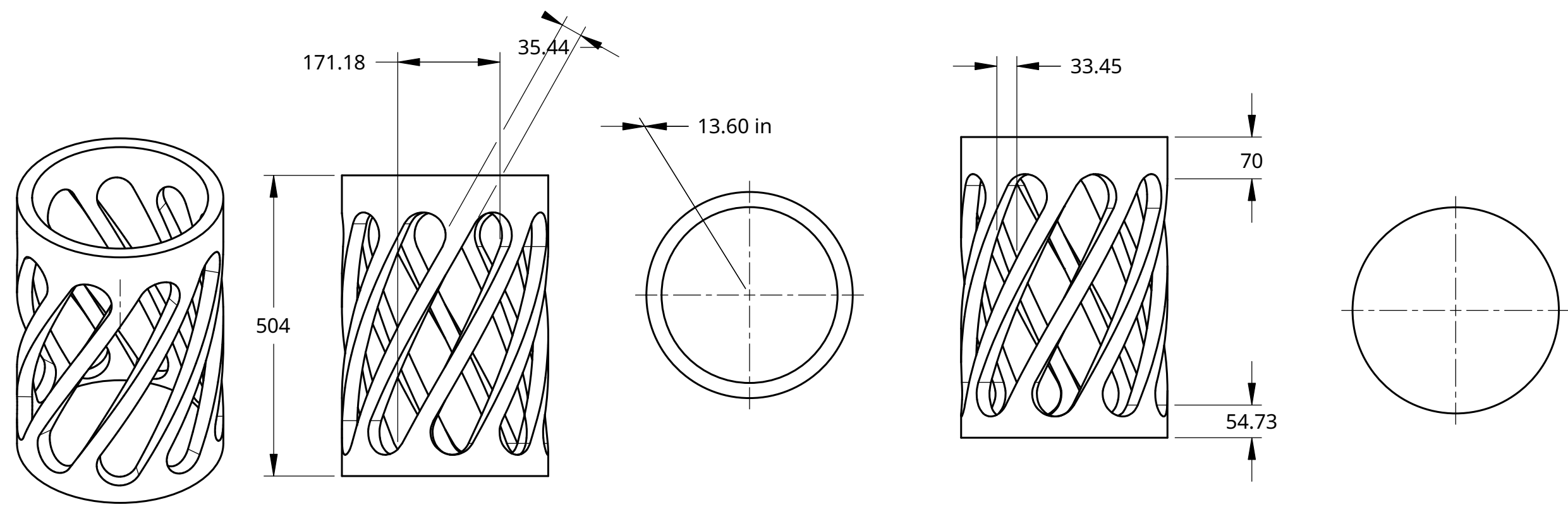
C

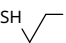
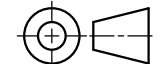
B

B

A

A



UNLESS OTHERWISE SPECIFIED, DIMENSIONS ARE IN MILLIMETERS ANGULAR = ± ° SURFACE FINISH  DO NOT SCALE DRAWING BREAK ALL SHARP EDGES AND REMOVE BURRS THIRD ANGLE PROJECTION 		NAME	DATE	TITLE				
	DRAWN	THANGAM C	04/03/2025					
	CHECKED							
	APPROVED			SIZE	DWG NO.	REV.		
		MATERIAL	FINISH		B			
				SCALE	1:8	WEIGHT	SHEET	1 of 1

4

3

2

1