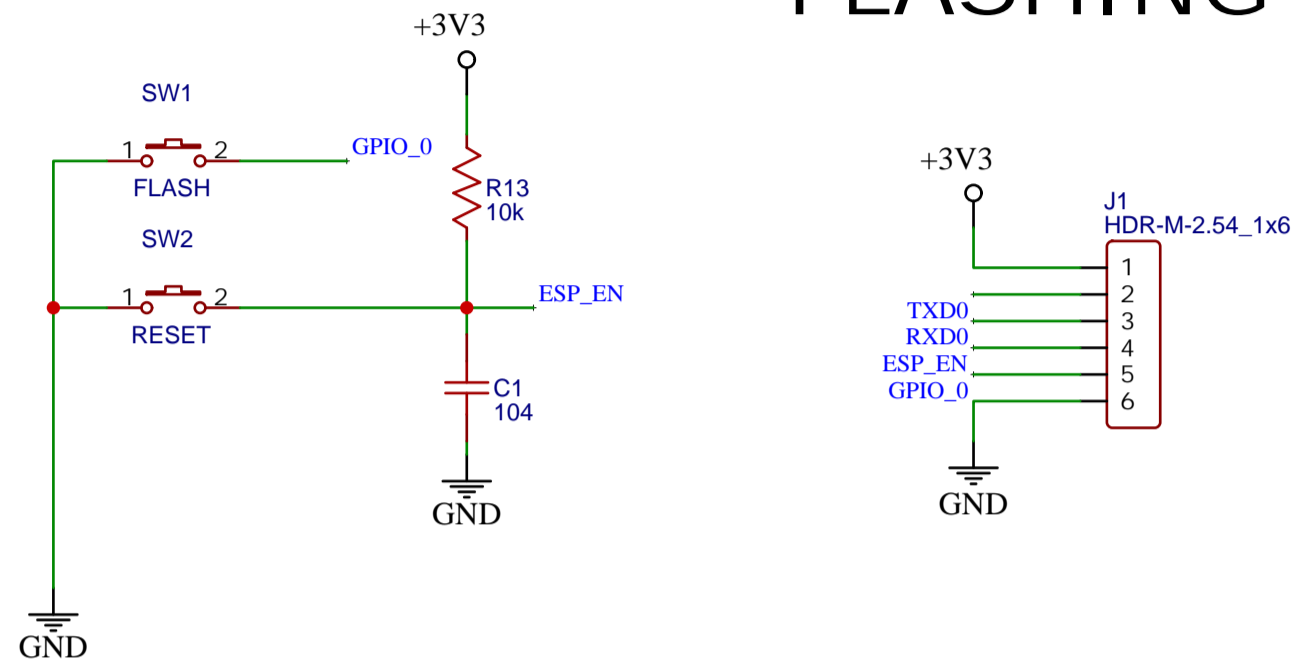


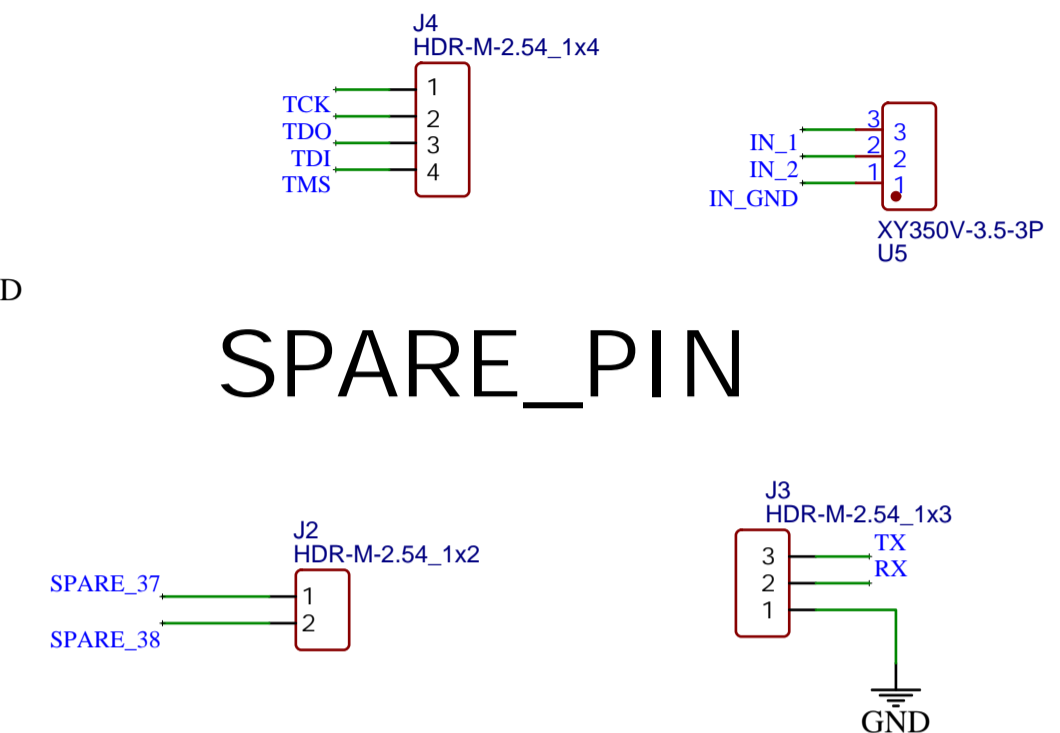
# ESP32-S3

# JTAG

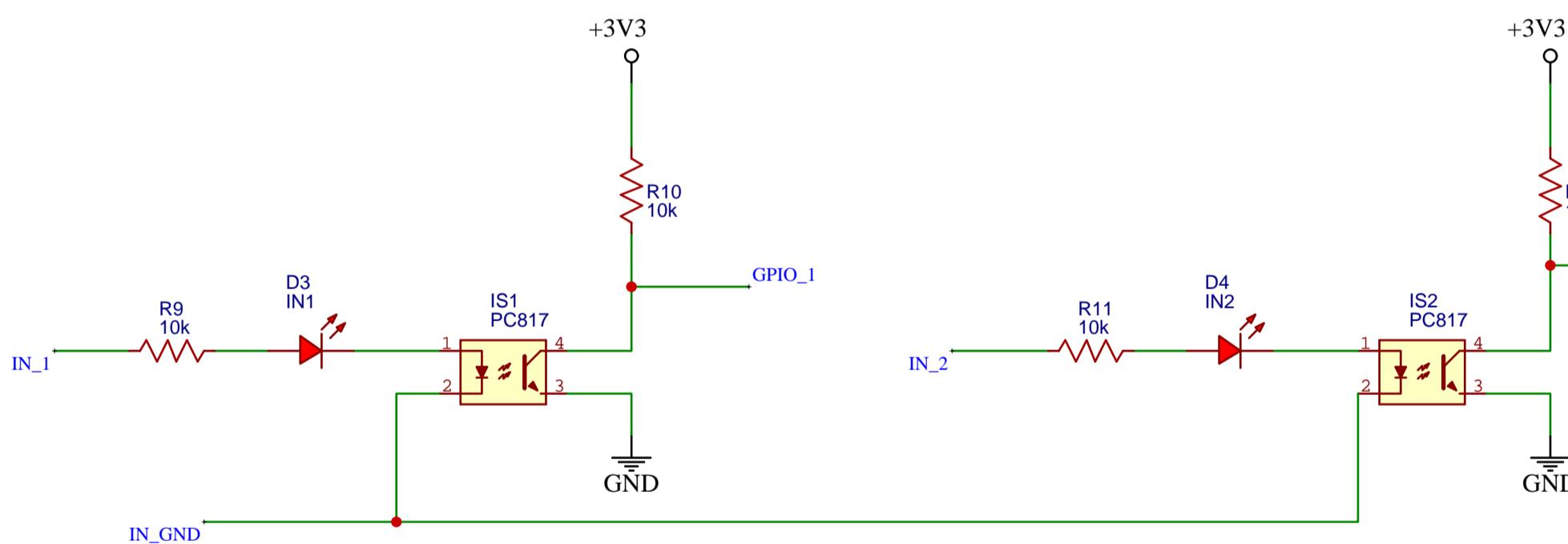
# USER SWITCH FLASHING



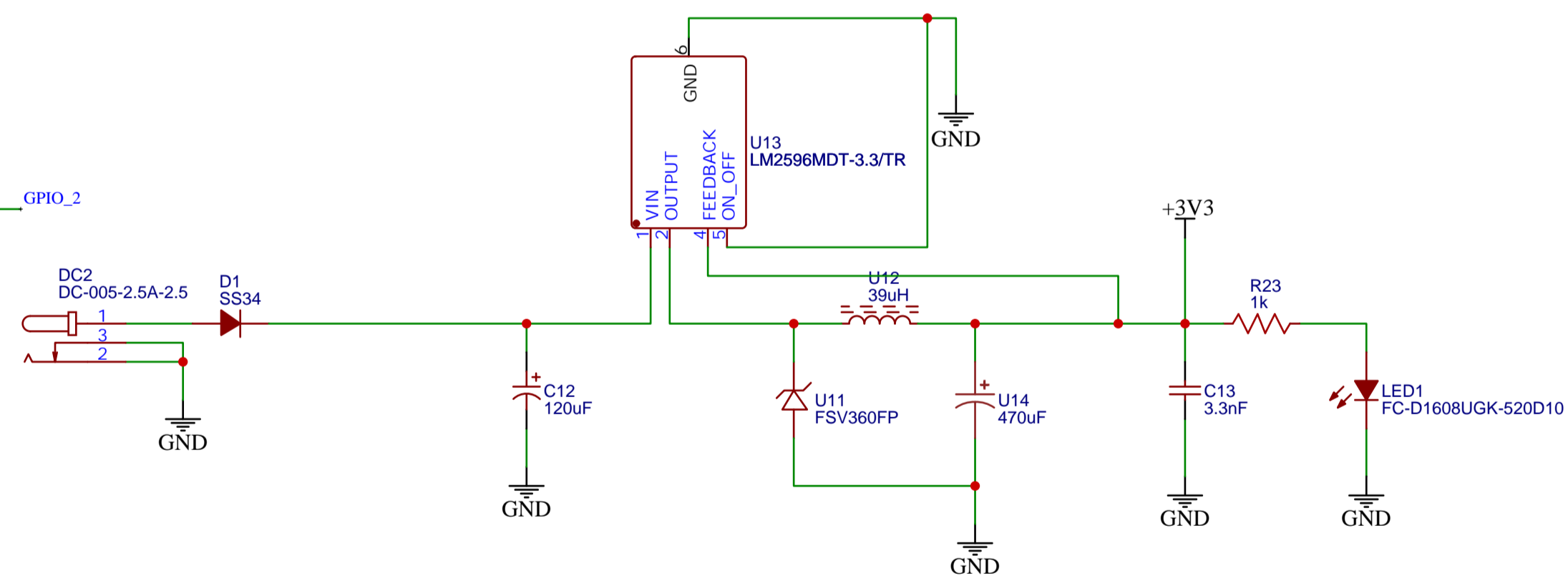
# SPARE\_PIN



# FEED



# PWR



# VL53L8CH

