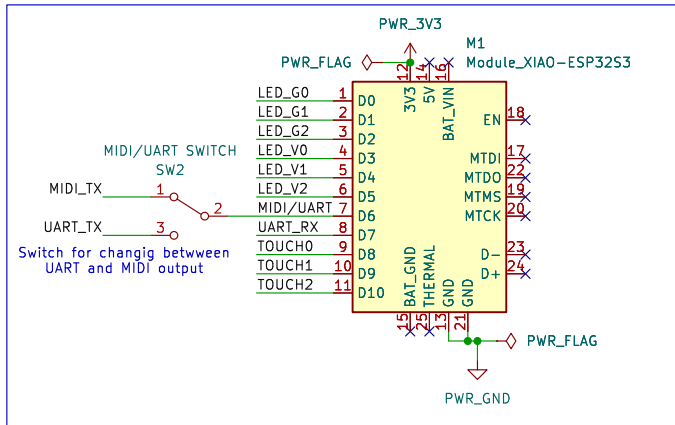


Final Project POC

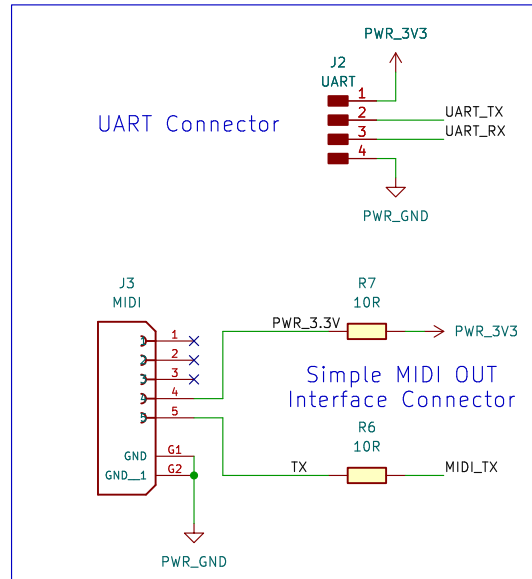
MCU Pin Configuration



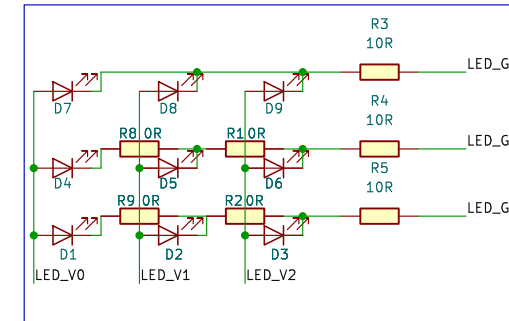
M2 Holes



Connectors



LED MATRIX



individual assignment:
 use an EDA tool to design a development board
 that uses parts from the inventory to interact
 and communicate with an embedded microcontroller

Sheet: /
 File: Assignment.kicad_sch

Title: Final Project POC

Size: A4 | Date: 2025-03-05
 KiCad E.D.A. 9.0.0

Rev: 1.0
 Id: 1/1