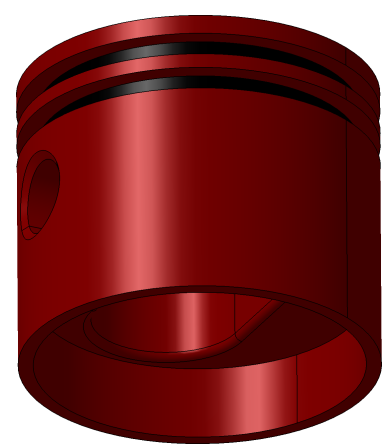
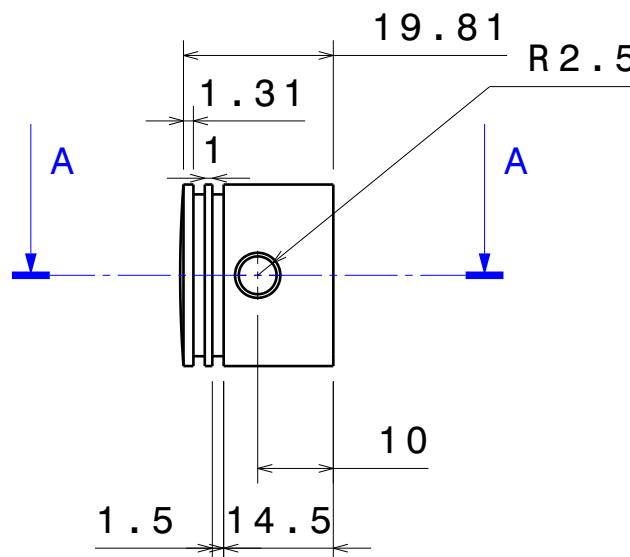
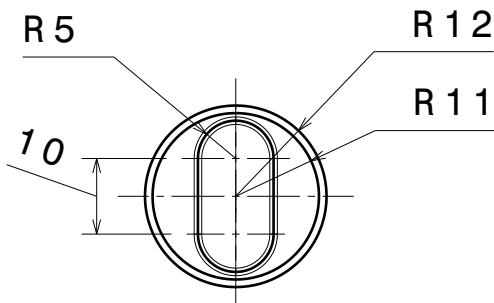


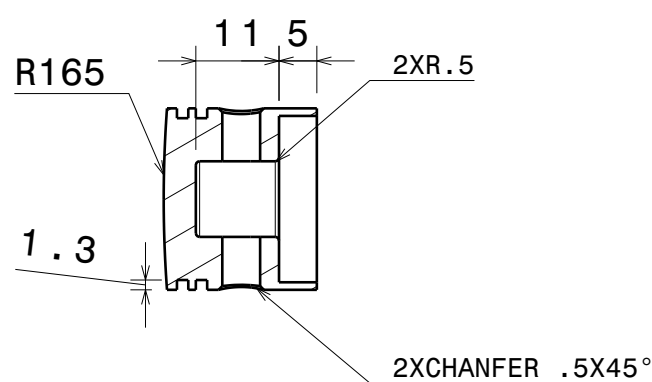
D C B A

4
3
2
1

4
3
2
1



SCALE 2:1



Section view
A-A

This drawing is our property. It can't be reproduced or communicated without our written agreement.		GEDITEC			
DRAWN BY IGNACIO A.S.P.		DATE 21/09/2019		DRAWING TITLE EMBOLO	
CHECKED BY IGNACIO A.S.P.		DATE 21/09/2019		SIZE A4	MATERIAL STEEL
DESIGNED BY IGNACIO A.S.P.		DATE 21/09/2019		SCALE 1:1	MESSURMENT mm
				SHEET 1/2	REV X

D C B A