

## ElectroMata412

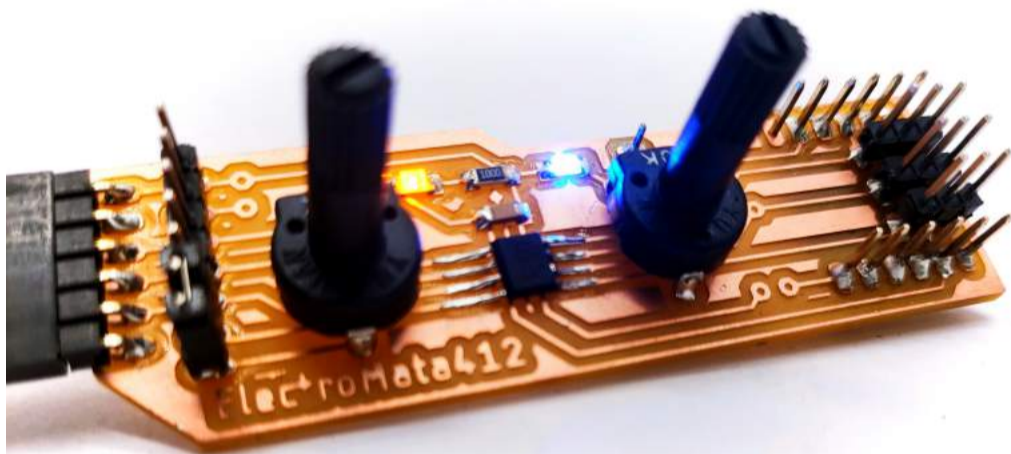
*"Electromagnetic fields are all around us."*

by Zhu Ziyi

We live in a world that is filled with electromagnetic radiation. Although some studies have shown that they have some impact on the life cycle of some animals, few of their secrets have been revealed. This device uses an antenna to detect the intensity of the EMF and outputs it with sound, light and the activity of the living creatures as a hint for the mysterious aspect of the nature around us.

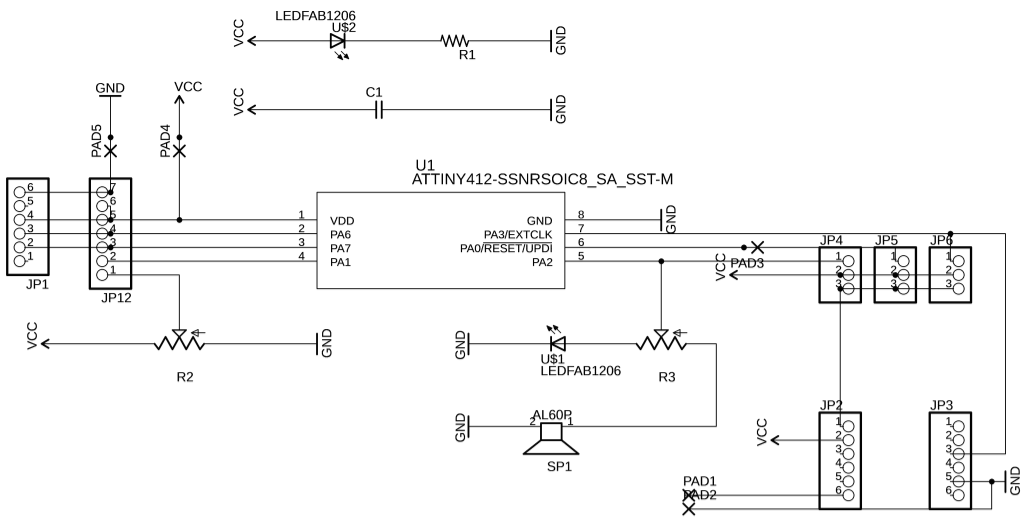
我們生活在一個充滿了電磁輻射的世界。儘管一些研究表明它們影響著一些生物的活動周期，我們對它們對生物的影響仍然所知甚少。

這個裝置使用一根天綫探知周圍電磁場的強度，並在聲、光和生物活動的形式反映，作為這一存在於我們身邊的奇妙自然現象的一種暗示。

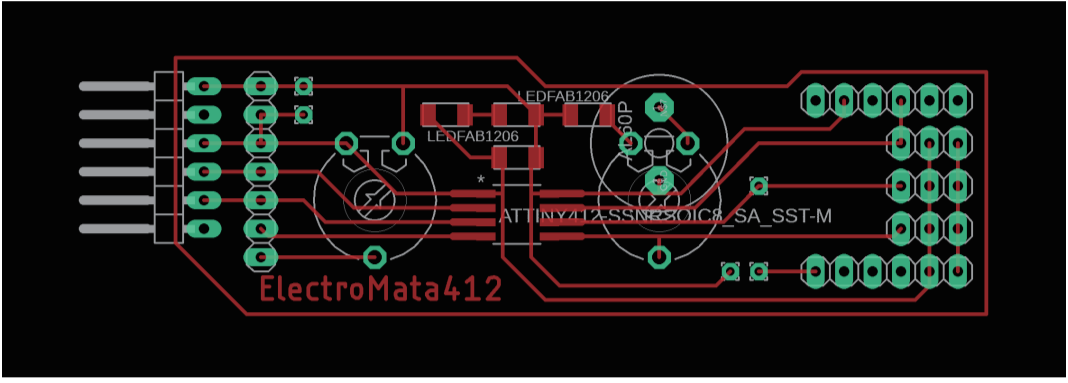


### Bill of Materials

- 1- Microcontroller ATtinny412
- 2- Capacitor 0.1UF
- 3- LED Yellow
- 4- LED Blue
- 5- Resistor 100R
- 6- Potentiometer 10K x2
- 7- DRV8833 DC Motor Driver Breakout Board



Schematic



Board view

