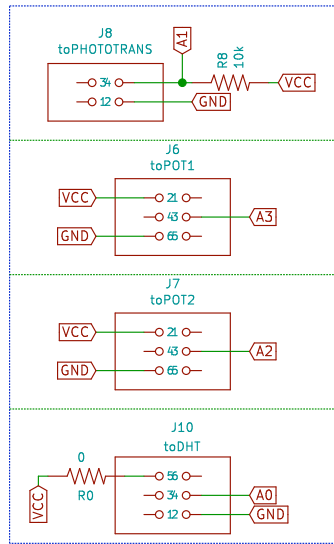
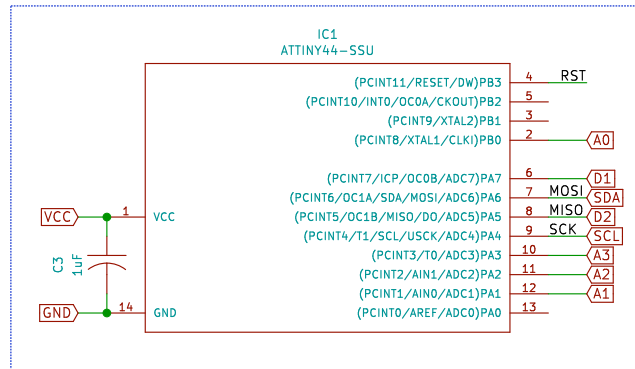


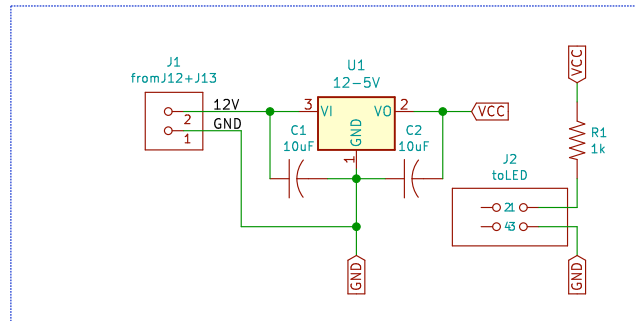
INPUTS



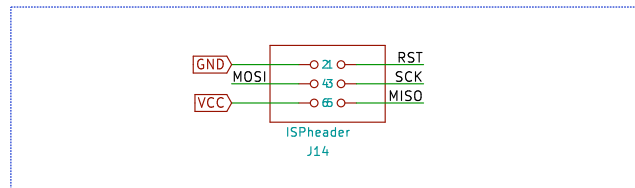
MCU



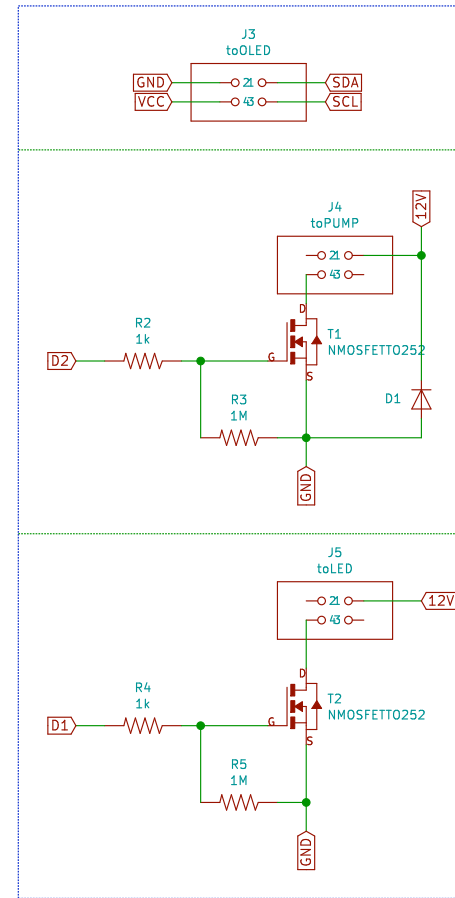
POWER



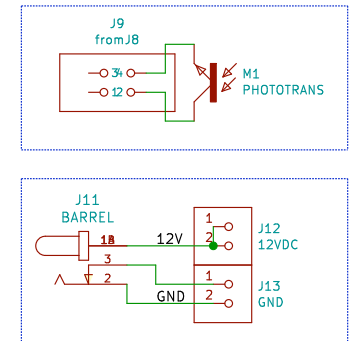
ISP COMMUNICATION



OUTPUTS



EXTRA BOARDS



Sheet: /
File: farming.v7.sch

Title:

Size: A4
KiCad E.D.A. kicad (5.1.5-0-10_14)

Date:

Rev:
Id: 1/1