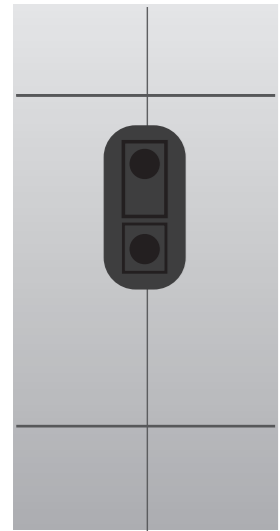
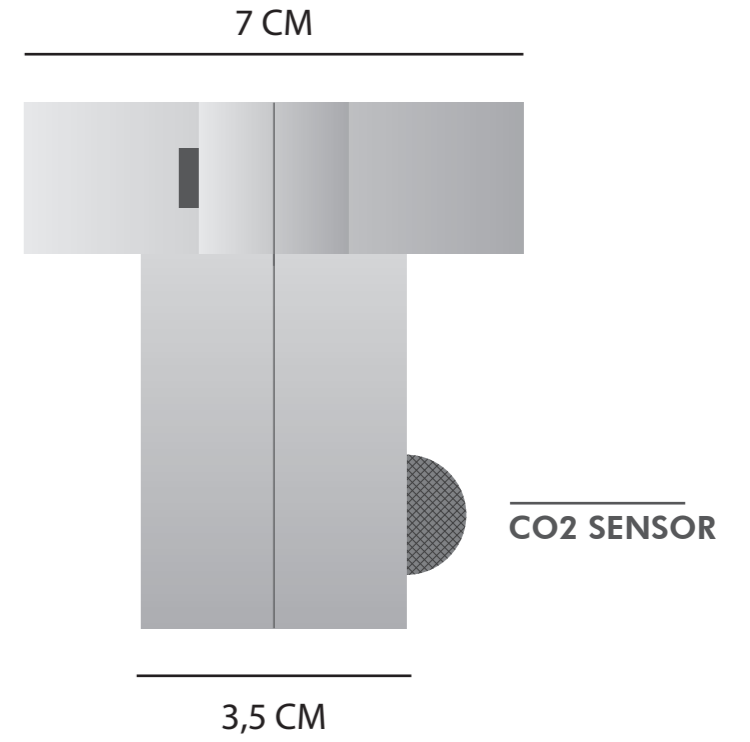
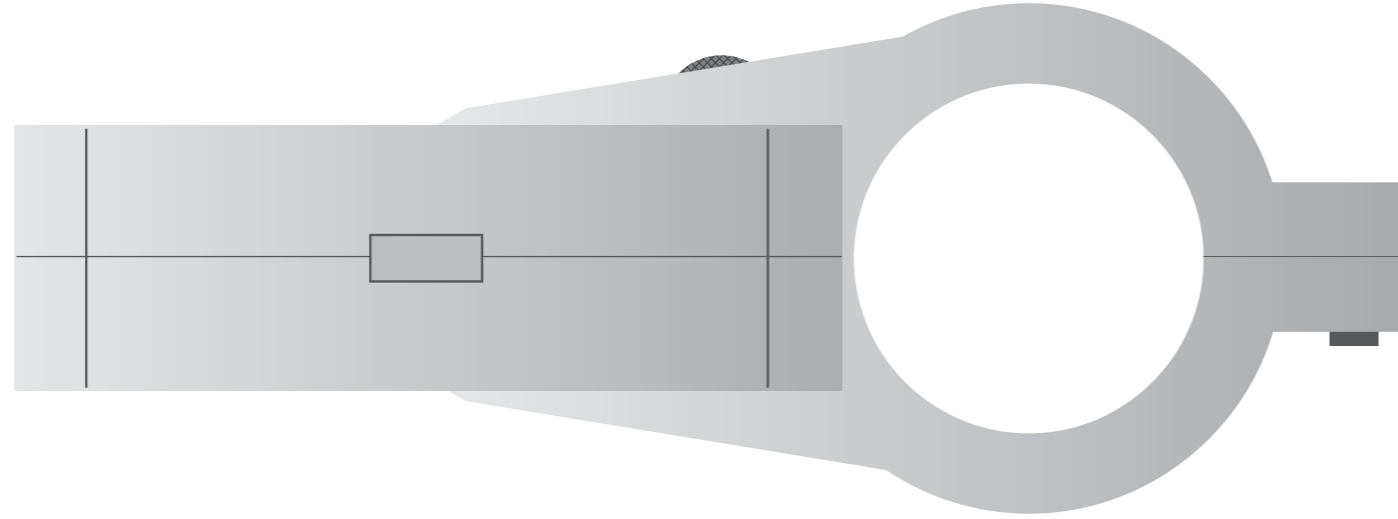


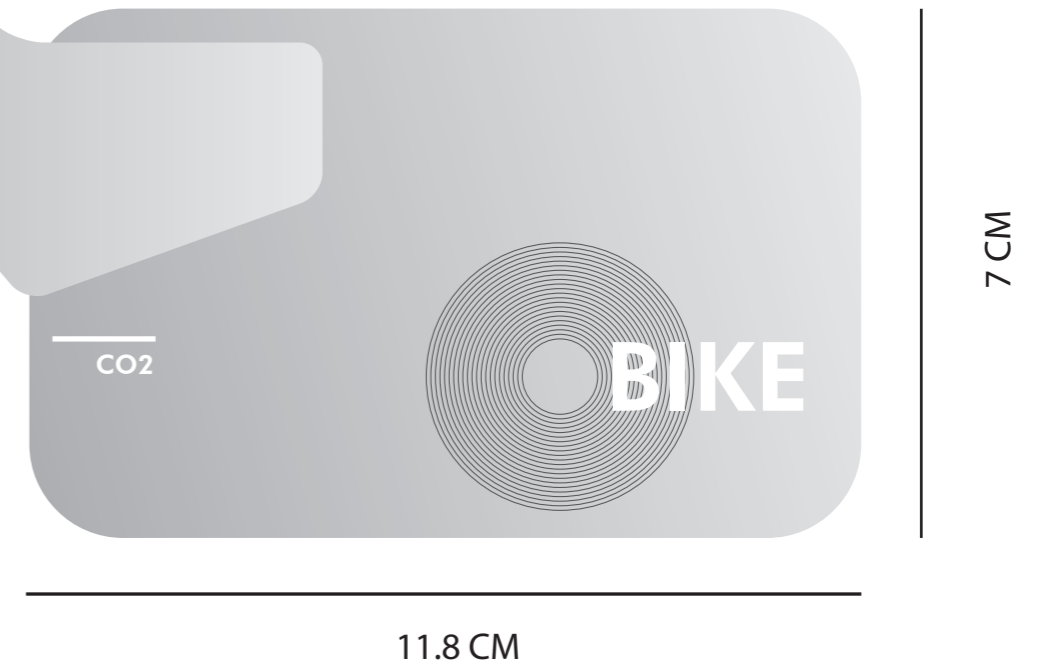
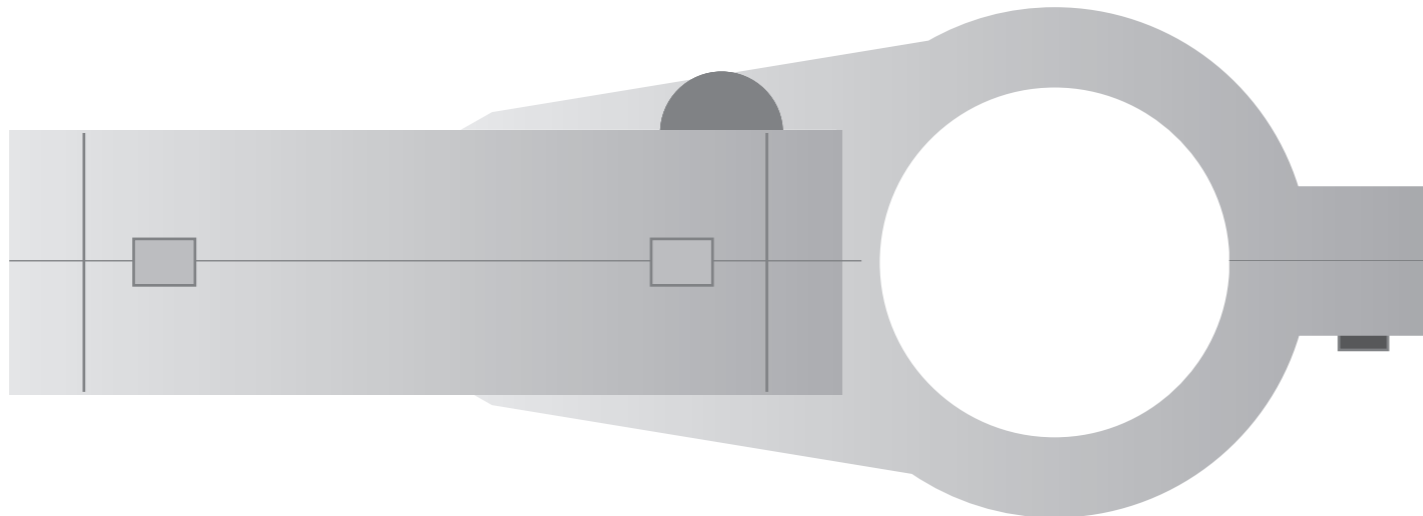
**BIKE**

**CASE**

2D DRAWING AND TECHNICAL DETAILS  
(SCALE 1:1)



18.8 CM



7 CM