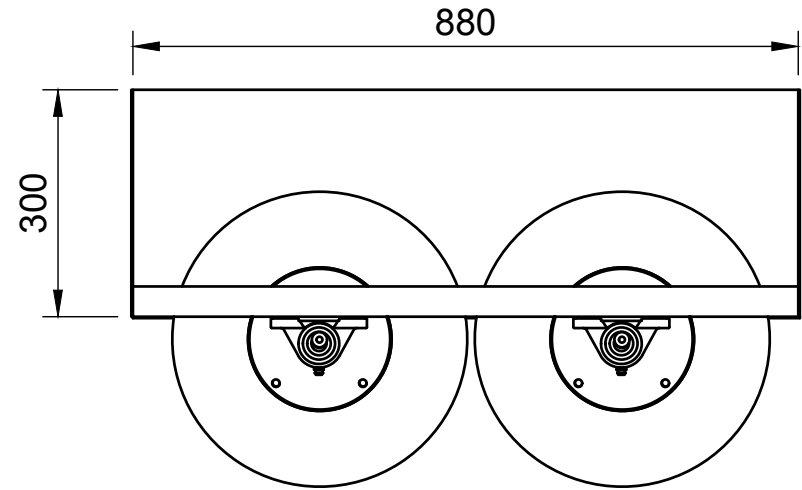
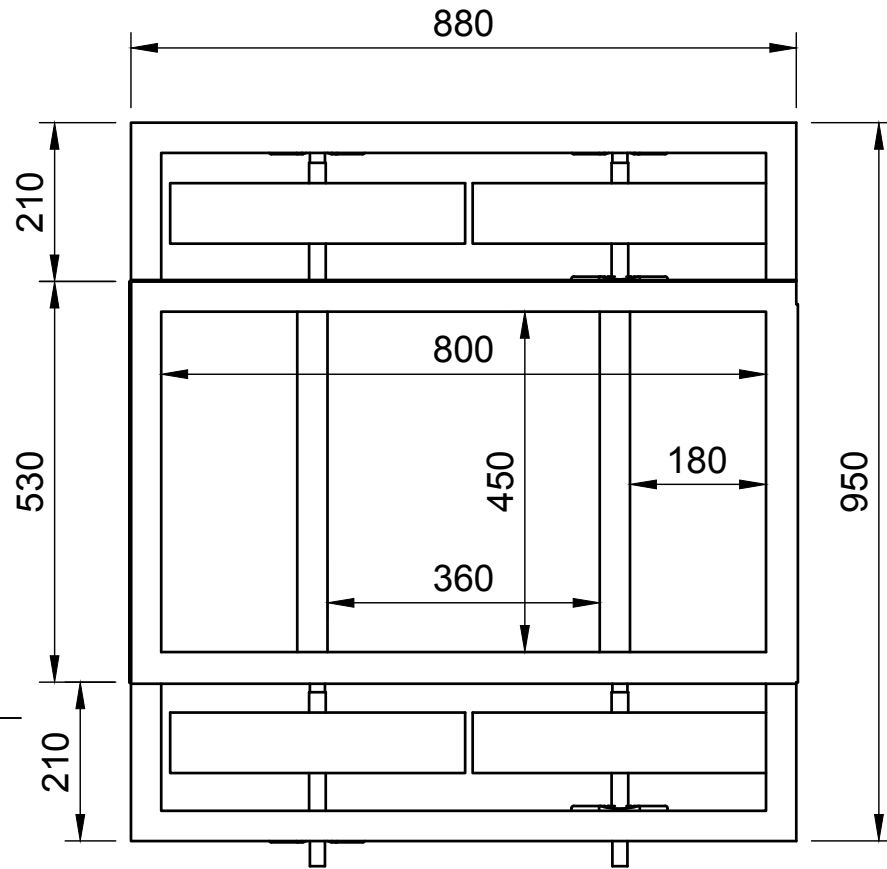


Dept.	Technical reference	Created by Theo GAUTIER 22/05/2021	Approved by	
		Document type	Document status	
		Title Robot Final Projet Body V1	DWG No.	
		Rev.	Date of issue	Sheet 1/2



Dept.	Technical reference	Created by Theo GAUTIER 22/05/2021	Approved by	
		Document type	Document status	
		Title Robot Final Projet Body V1	DWG No.	
		Rev.	Date of issue	Sheet 2/2