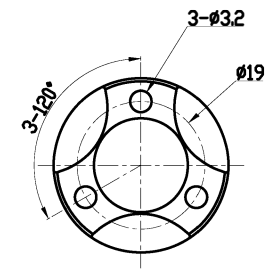
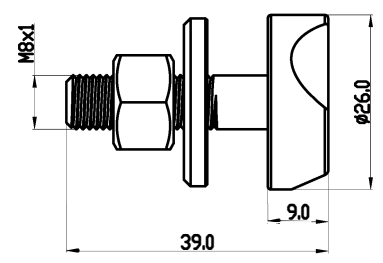
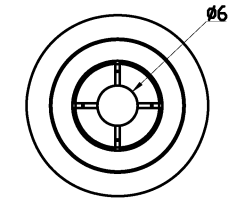
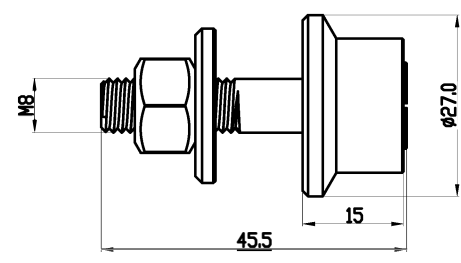
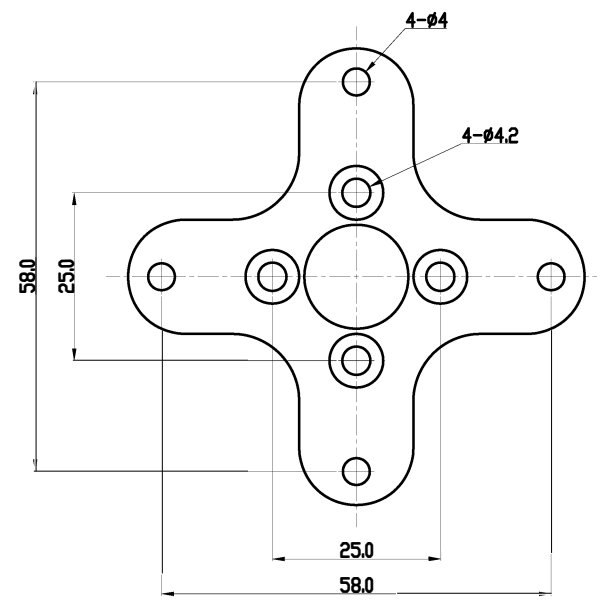
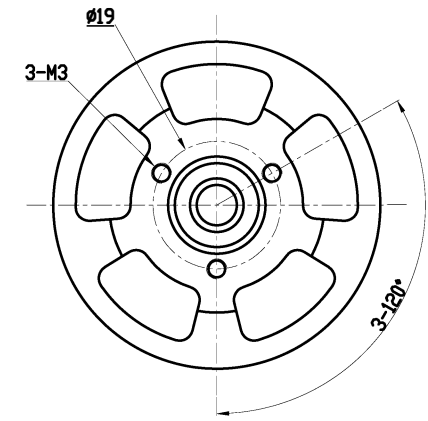
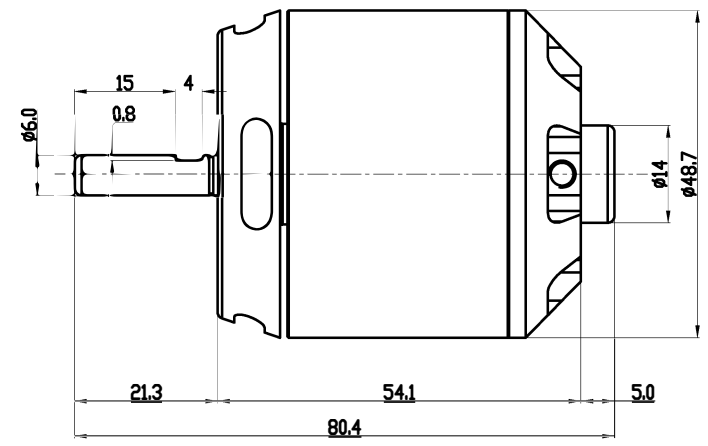
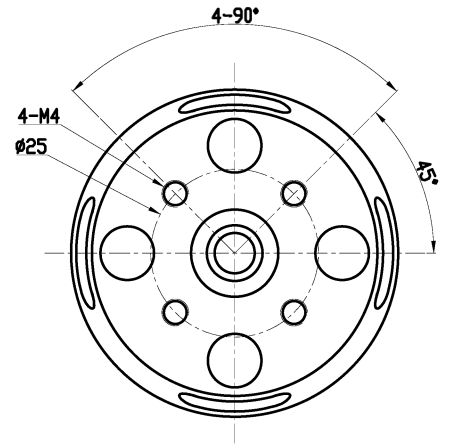


NO.	DESCRIPTION	REV. BY	CHK. BY	DATE



UNIT : MM

(DT4030-14P-430KV SK3-5055-430)
(DT4030-14P-320KV SK3-5055-320)
(DT4030-14P-280KV SK3-5055-280)

Turnigy Aerodrive SK3				
TITLE SK3-5055 (DT4030-14P) MOTOR		DRAWING NO.	MODEL	DWG FILE
DESIGN	DATE 2017-05-10	MATERIAL	PAPER SIZE A4	SCALE
CHECKED	DATE	FINISHING	TEXTURE	SHEET OF
APPROVED	DATE	REV. 1.0	DO NOT SCALE THIS DRAWING THIRD ANGLE PROJECTION UNITS IN MILLIMETERS	