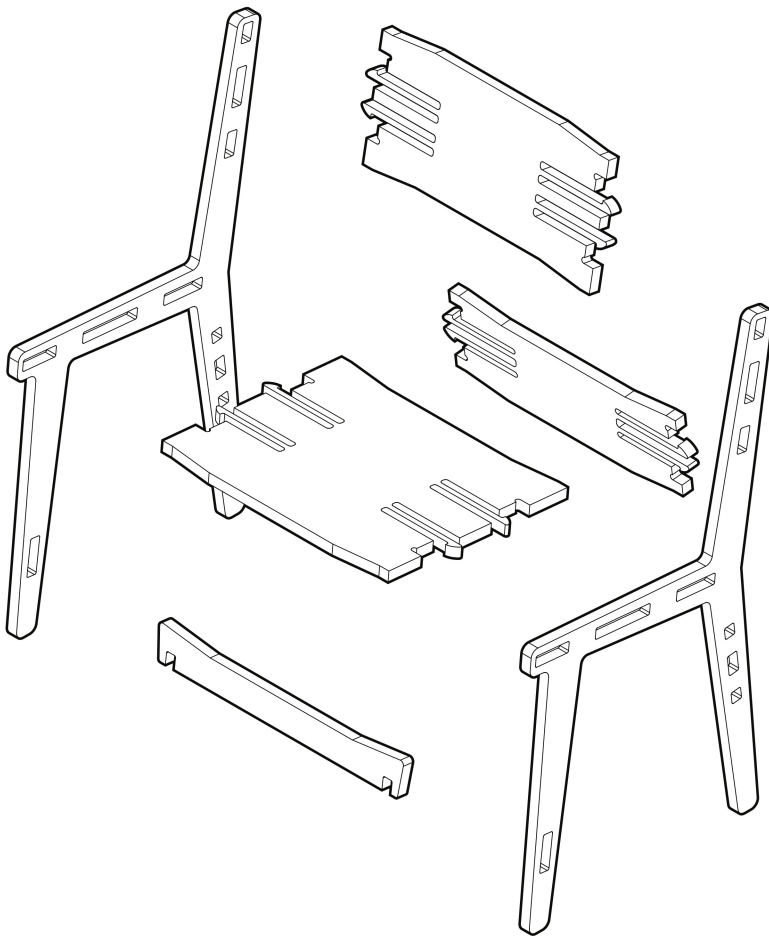
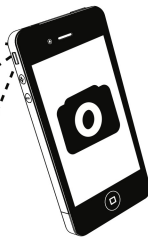
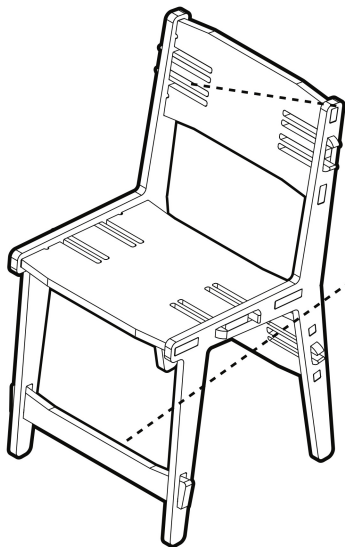


1.

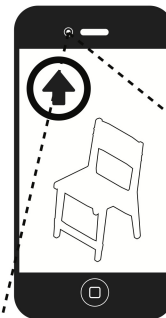


2.



take a photo or video of your finished piece

3.



scan the QR-code below to be taken to your product's unique timeline:

share photos of your finished piece with the community, or find out all about how it was made - where, when, and by whom.

YOUR PRODUCT'S UNIQUE CODE



Snap Set Chair

Downloaded by Rodrigo P. Arruda on 2017-04-12 for non-commercial use.

designed by:

RYAN MCKIBBIN

powered by:

OpenDesk
<https://www.opendesk.cc>



this product is made from a standard sheet material, but some variations in finish and material thickness should be expected.

DIY assembly required, including the use of hand tools - always exercise caution when working with sharp implements, beware of splinters, and work in a well ventilated area.