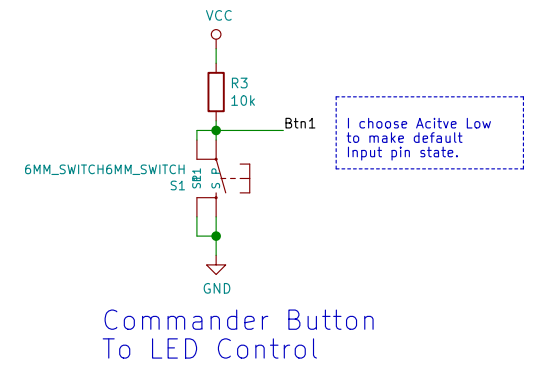
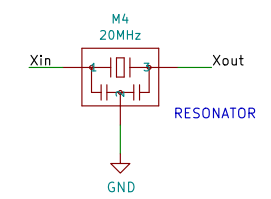


### MCU Clock Generator



Drawing by YoungSik Kim	
first drawing with given materials	
<b>TIDE institute</b>	
Sheet: /	
File: prj_basic1.sch	
<b>Title: Hello Worle Board - 1</b>	
Size: A4	Date: 2018-03-07
KiCad E.D.A. kicad (2018-02-13 revision ac9fc949b)-makepkg	Rev: R0
	Id: 1/1